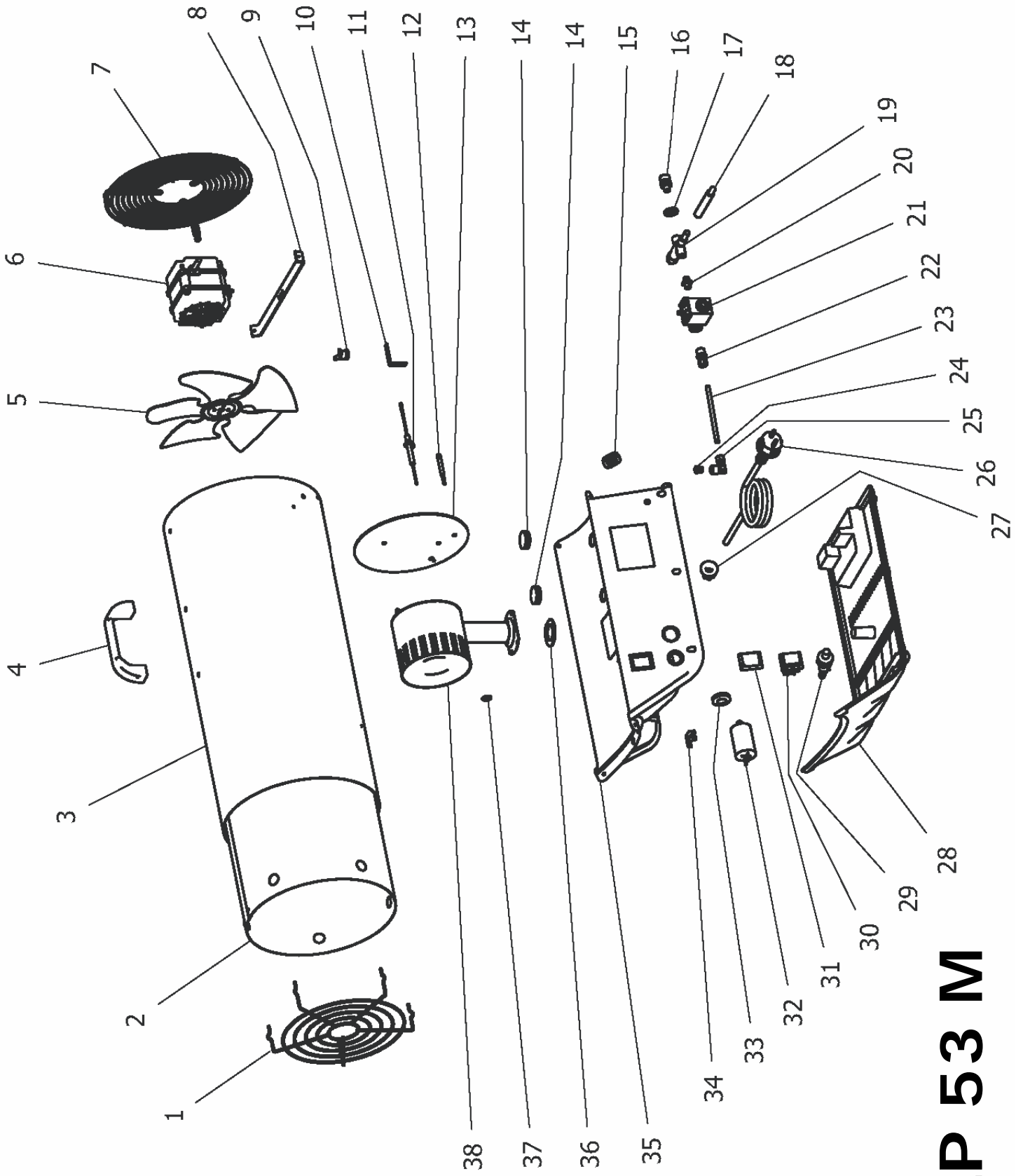


83086, . . .
7 . 503
.: 062-349-12-12; 062-349-70-70;
.: 050-50-200-19; 050-603-35-70

klimatdn@list.ru
<http://masterheaters.at.ua>



BLP 53 M

MASTER GAS HEATERS BLP 53 M

Pos.	COD.	DESCRIPTION
1	4160.740	OUTLET GRID
2	4162.731	COMBUSTION CHAMBER
3	S/R	COVER
4	4160.715	PLASTIC HANDLE
5	4160.691	FAN
6	4160.046	ELECTRIC MOTOR
7	4160.739	PLASTIC INLET GRID
8	4162.733	SUPPORT ELECTRIC MOTOR
9	4160.636	SAFETY THERMOSTAT
10	4160.708	SUPPORT FOR THERMOSTAT
11	4160.731	IGNITION ELECTRICAL FOLDER
12	4160.953	INTERRUPTED THERMOCOUPLE
13	4160.744	PLATE BURNER
14	4162.500	GROMMET
15	4161.854	BLOCK FOR NOZZLE
16	4160.048	GAS INLET NOZZLE
17	4117.089	WASHER
18	4162.479	VALVE ROD
19	4160.688	SAFETY VALVE
20	4160.968	NOZZLE
21	4160.963	ELECTROVALVE
22	4160.962	NIPPLES REDUCER
23	4162.724	COPPER TUBE
24	4160.766	GAS NOZZLE
25	4160.967	ELBOW
26	4160.631	POWER CORD
27	4160.635	KEEPER WIRE
28	4162.853	LOWER PLASTIC BASE
29	4162.222	PIEZO IGNITOR
30	4160.637	SWITCH COMPLETE
31	4160.638	COVER SWITCH
32	4031.627	CAPACITOR
33	4160.646	GROMMET
34	4160.088	RIVET POP
35	4162.719	UPPER PLASTIC BASE
36	4160.769	NECK PLATE
37	4160.627	ELASTIC WASHER
38	4160.467	GAS BURNER

S/R = Parts available by special request only