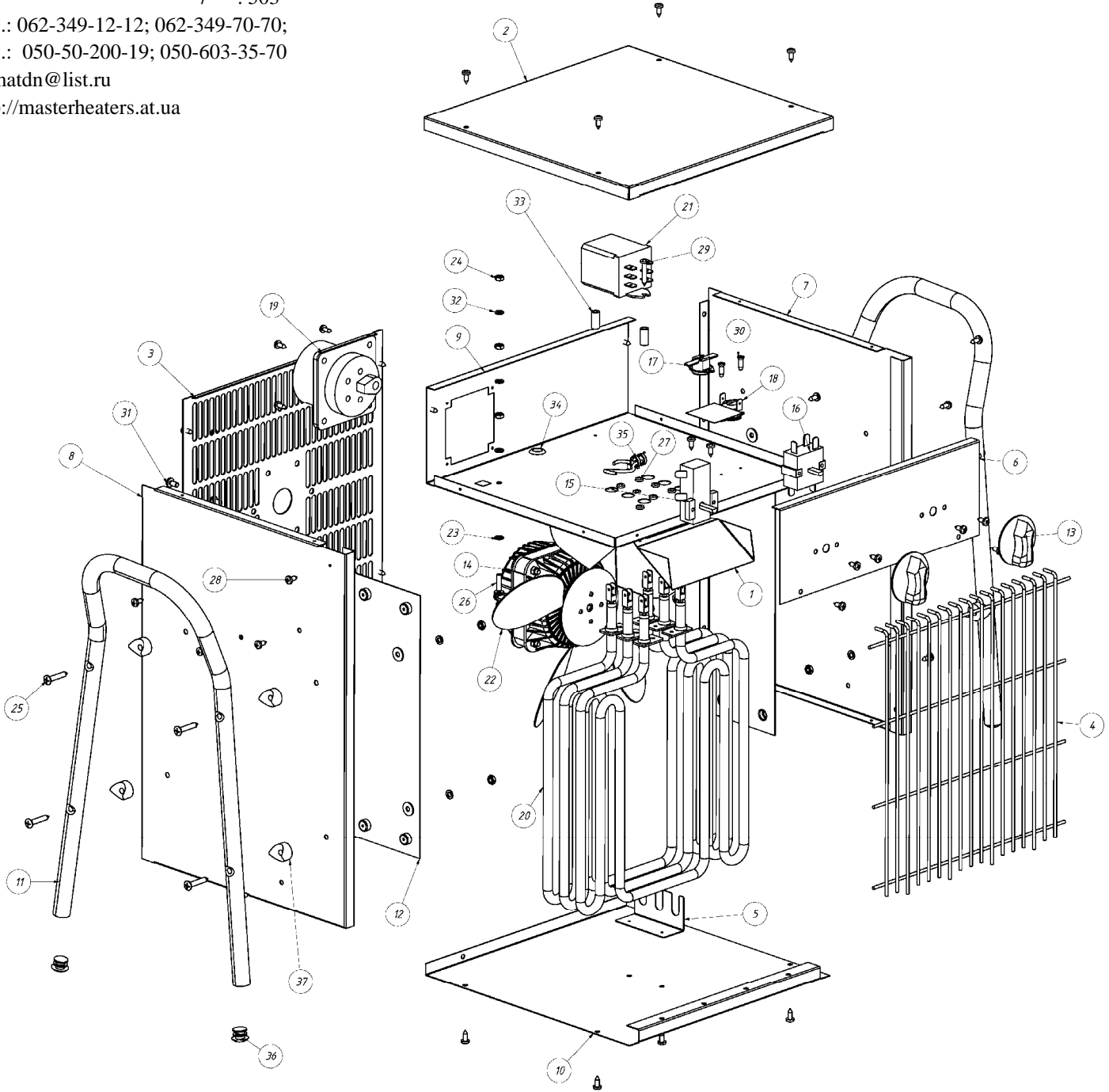


MASTER ELECTRIC HEATERS

MODEL B 5 EPB

ILLUSTRATED PARTS BREAKDOWN

83086, . ,
7 . 503
.: 062-349-12-12; 062-349-70-70;
.: 050-50-200-19; 050-603-35-70
klimatdn@list.ru
<http://masterheaters.at.ua>



MASTER ELECTRIC HEATERS B 5 EPB 5kW

Pos.	Description	Code	Qty.
1	DEFLECTOR	S/R	1
2	TOP COVER	S/R	1
3	BACK GRILL COVER	S/R	1
4	GRILL	4511.239	1
5	HEATING ELEMENT BRACKET	4511.221	1
6	FRONT PANEL	S/R	1
7	LEFT SIDE COVER	S/R	1
8	RIGHT SIDE COVER	S/R	1
9	SHELF	S/R	1
10	DOWN COVER	S/R	1
11	PIPE HANDLE	4510.128	2
12	HEAT SHIELD	S/R	2
13	KNOB 44mm	4510.610	2
14	MOTOR 7W/230V	4510.310	1
15	BIMETALLIC THERMOSTAT 16A/250V 5-75oC	4510.403	1
16	ROTARY SWITCH 16A/400V	4510.401	1
17	OVERHEAT THERMOSTAT 16A/250V 80oC	4510.449	1
18	OVERHEAT SENSOR 16A/250V 60oC/NO	4510.404	1
19	PLUG 16A/400 3P+N+E (56)	4510.422	1
20	HEATING ELEMENT 1666W	4510.380	3
21	RELAY 230V 16A/250V 2CO	4510.444	1
22	FAN 230/28	4510.320	1
23	TOOTHED LOCK WASHER A4.3	4510.811	1
24	HEXAGON NUT M4	4510.808	3
25	SCREW M4x30	4510.848	1
26	SCREW M4X16	4510.828	1
27	TAPPING SCREW ST3.9X9.5	4510.802	6
28	TAPPING SCREW ST3,5X9,5	4510.847	42
29	TAPPING SCREW ST3.5X22	4510.827	2
30	SCREW ST3,9X9,5	4510.841	2
31	SCREW M4X8	4510.814	3
32	SPRING LOCK WASHER	4510.810	6
33	SLEEVE	4510.613	2
34	SEAL WIRE	4511.621	1
35	BELT	4510.608	2
36	PIPE CAP 12mm	4510.604	4
37	PLASTIC DISTANCE 15mm	4510.603	8

S/R = Parts Available On Special Request Only